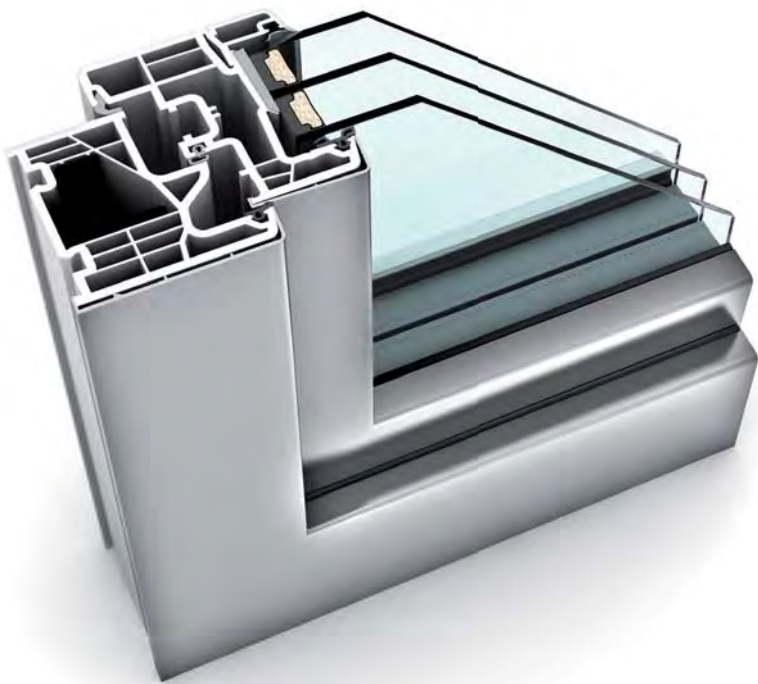







# KF 310 UPVC & UPVC/ALUMINIUM WINDOW



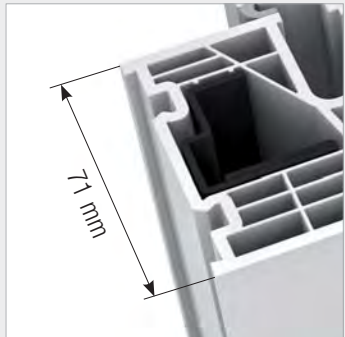
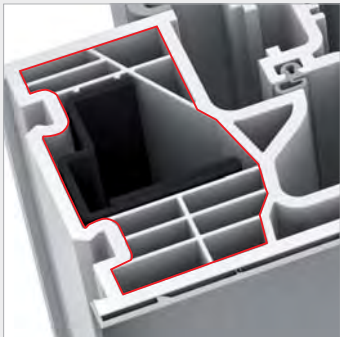
## PROPERTIES

	<b>Thermal insulation</b>	$U_w$ as low as 0.69 W/(m <sup>2</sup> K)
	<b>Sound reduction</b>	up to 45 dB
	<b>Security</b>	RC1N, RC2
	<b>Locking</b>	concealed
	<b>Construction depth</b>	71/74 mm

**I-tec Glazing**

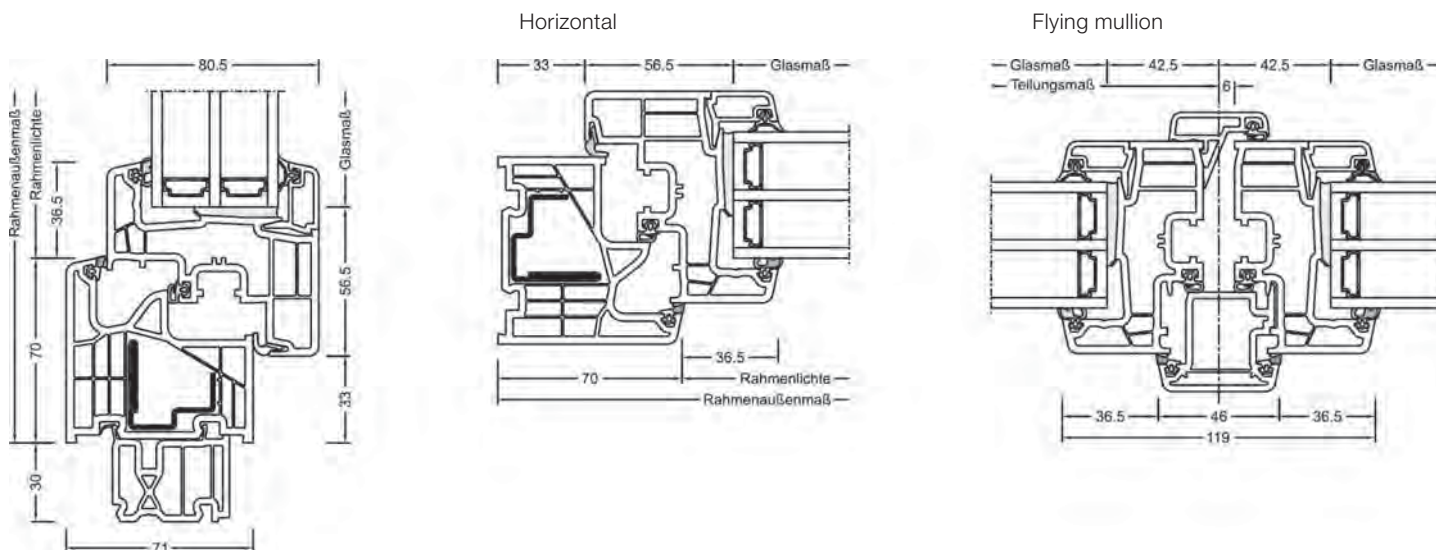


**NEW!**



**KF 310**  
 This is one of the slimline windows with a construction depth of 71 mm. Rounded edges of sash and frame match the design style home soft perfectly. KF 310 is available in the classic UPVC version and also as UPVC/ aluminium window. The aluminium clad on the outside can be designed in many colours. The new 6-chamber frame profile ensures even better thermal insulation. Three continuous all around gaskets protect the inside from the wet and at the same time improve thermal insulation and sound reduction.

**Sections**



**Values**

Glass setup	Glass Code	Spacer	Coating	Ug	g	Uf	Psi	Uw	Thermal certificate	Rw	C	Ctr	Sound certificate
4/16Ar/b4	20L	Iso	light	1.1	65%	1.2	0.038	1.2	YES	33	-2	-6	YES
		Alu	light	1.1	65%	1.2	0.065	1.3	YES	33	-2	-6	YES
8/12Kr/b4	2KA	Iso	light	1.0	63%	1.2	0.038	1.1	YES	37			no
		Alu	light	1.0	63%	1.2	0.065	1.2	YES	37			no
4b/18Ar/4/18Ar/b4	3N2	Iso	light	0.5	54%	1.1	0.034	0.76	YES	34	-2	-6	YES
			SolarXPlus	0.5	60%	1.1	0.034	0.76	YES	34	-2	-6	YES
		Alu	light	0.5	54%	1.1	0.075	0.86	YES	34	-2	-6	YES
			SolarXPlus	0.5	60%	1.1	0.075	0.86	YES	34	-2	-6	YES
6b/18Ar/4/16Ar/b4	33U	Iso	light	0.5	54%	1.1	0.034	0.76	YES	39	-2	-6	YES
			SolarXPlus	0.5	59%	1.1	0.034	0.76	YES	39	-2	-6	YES
		Alu	light	0.5	54%	1.1	0.075	0.86	YES	39	-2	-6	YES
			SolarXPlus	0.5	59%	1.1	0.075	0.86	YES	39	-2	-6	YES
44b.2(VSG-S)/15Ar/4/12Ar/ b44.2(VSG-S)	3FH	Iso	light	0.7	50%	1.1	0.034	0.90	YES	45	-2	-6	YES
			SolarXPlus	0.7	55%	1.1	0.034	0.90	YES	45	-2	-6	YES
		Alu	light	0.7	50%	1.1	0.075	1.0	YES	45	-2	-6	YES
			SolarXPlus	0.7	55%	1.1	0.075	1.0	YES	45	-2	-6	YES